

SELF POWERED

## GR2 SERIES

- Lithium battery installed inside. Battery life 7 years(replaceable)
- Front Panel Protection IP54
- In Conformance to CE(EMC)
- RoHS compliant
- In Conformance to UL



- 7 digits LCD display with 8mm height
- Panel Cut-out 45.0 × 22.2mm

### MODELS

#### Type

- C: Totalizer
- H: Hourmeter
- M: Minutemeter
- S: Secondmeter

GR2 — □ □ □ 0

#### Wiring

0: Terminal screw

#### Input

- 0: Dry contact / Open collector / Voltage (NPN transistor) input
- 1: Wide range voltage input

#### Reset

- 0: Remote
- 1: Remote & Front

### SPECIFICATIONS

| Type          | GR2-C : Totalizer                                 | GR2-H : Hourmeter                  | GR2-M : Minutemeter                  | GR2-S : Secondmeter                  |
|---------------|---|------------------------------------|--------------------------------------|--------------------------------------|
| Display       | 7segment LCD 7digits 8mm height                   |                                    |                                      |                                      |
| No. of digit  | 0~9999999   | 0. 0~999999. 9                     |                                      |                                      |
| Spec of input | Max.count speed<br>GR2-C□00 30Hz<br>GR2-C□10 20Hz | Resolution<br>1count per 1/10 hour | Resolution<br>1count per 1/10 minute | Resolution<br>1count per 1/10 second |

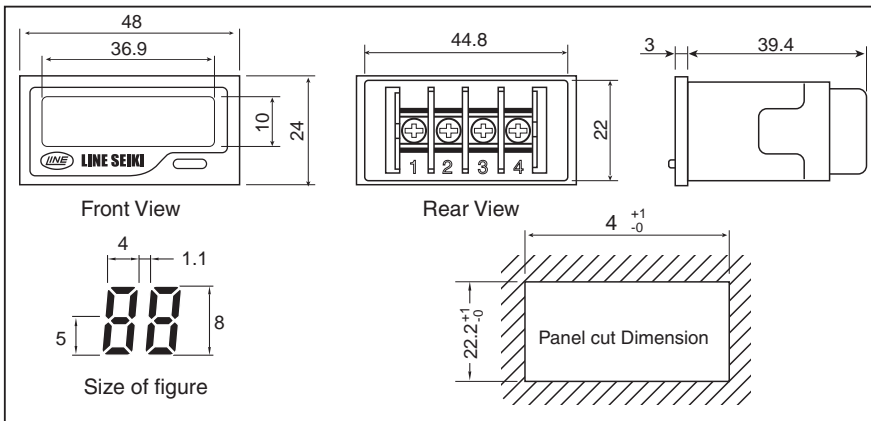
### MECHANICAL / ENVIRONMENTAL SPECIFICATIONS

|                              |   |
|------------------------------|---|
| Operating temp.              | -10 ~ 55°C (Non-freezing)   |
| Storage temp.                | -20 ~ 65°C (Non-freezing)   |
| Operating humidity           | 25 ~ 85%RH (Non-condensing)   |
| Vibration / Shock resistance | Operation : Double amplitude 0.3mm Frequency 10 ~ 55Hz X.Y.Z. Axis 100mm/s <sup>2</sup><br>Storage : Double amplitude 0.75mm Frequency 10 ~ 55Hz X.Y.Z. Axis 300mm/s <sup>2</sup> |
| Protection of front panel    | IP54  |
| Weight                       | 50g (Battery included)  |
| Wiring                       | M3 Terminal screw   |

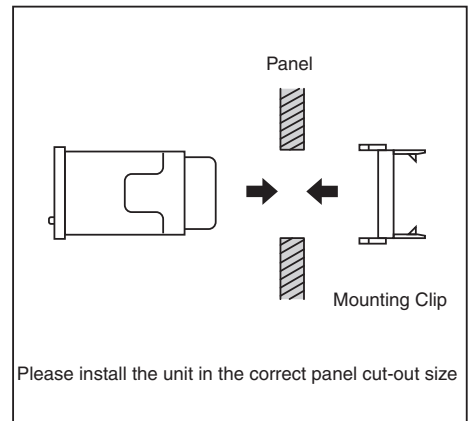
## ELECTRICAL SPECIFICATIONS

|                   |  |
|-------------------|--|
| Input             | Dry Contact / Open Voltage (NPN transistor) L:<0.8V H:2 ~ 30V Sink current 8 $\mu$ A<br>Wide range voltage L:DC/AC 0 ~ 10V Input impedance:300k $\Omega$<br>H:DC/AC 20 ~ 250V  |
| Reset             | Front Reset<br>Remote Reset<br>Dry Contact / Open collector / Voltage (NPN transistor) L:<0.8V H:2 ~ 30V Sink current 8 $\mu$ A<br>Wide range voltage L:DC/AC 0 ~ 10V Input impedance:300k $\Omega$<br>H:DC/AC 20 ~ 250V |
| Reset pulse width | 6ms MIN.   |
| Power source      | Lithium battery installed , Battery life 7 years (replaceable)   |
| Noise immunity    | Electrostatic Discharge IEC-61000-4-2 8kV<br>Radiated Electromagnetic Field IEC-61000-4-3 10V/m<br>EFT/B.I/O Leads IEC-61000-4-4 1.0kV   |
| EMC standard      | EMI : EN50081-2<br>EMS: EN50082-2  |

## DIMENSIONS



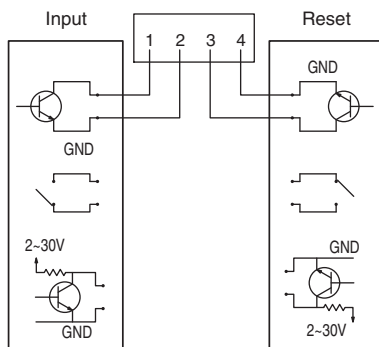
## MOUNTING



## WIRING

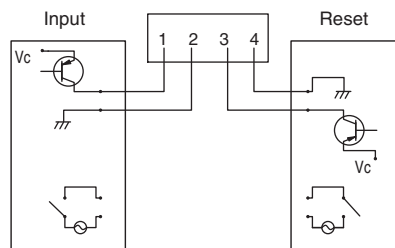
<GR2-□□00>

- Dry Contact / Open collector / Voltage (NPN transistor) Input type



<GR2-□□10>

- Wide range voltage input type

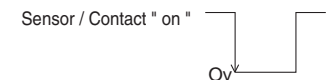


Theory on GR Series Counter

<GR2-□□00>

Dry Contact / Open collector / Voltage (NPN transistor) Input

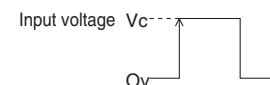
Input terminal No.1 : Count at Hi → Lo



<GR2-□□10>

Wide range voltage input

Input terminal No.1 : Count at Lo → Hi



\* Specifications Subject to Change Without Prior Notice  
All Rights Reserved, Copyright © 2010 Line Seiki Co., Ltd.



**LINE SEIKI CO.,LTD.**

Address : 37-7, Chuo-Cho, 2-Chome, Meguro-ku  
Tokyo 152-0001 JAPAN

Contacts : Tel: +81-3-3716-5151 Fax: +81-3-3710-4552

E-mail: [webtrade@line.co.jp](mailto:webtrade@line.co.jp)

URL : <http://www.lineseiki.com>